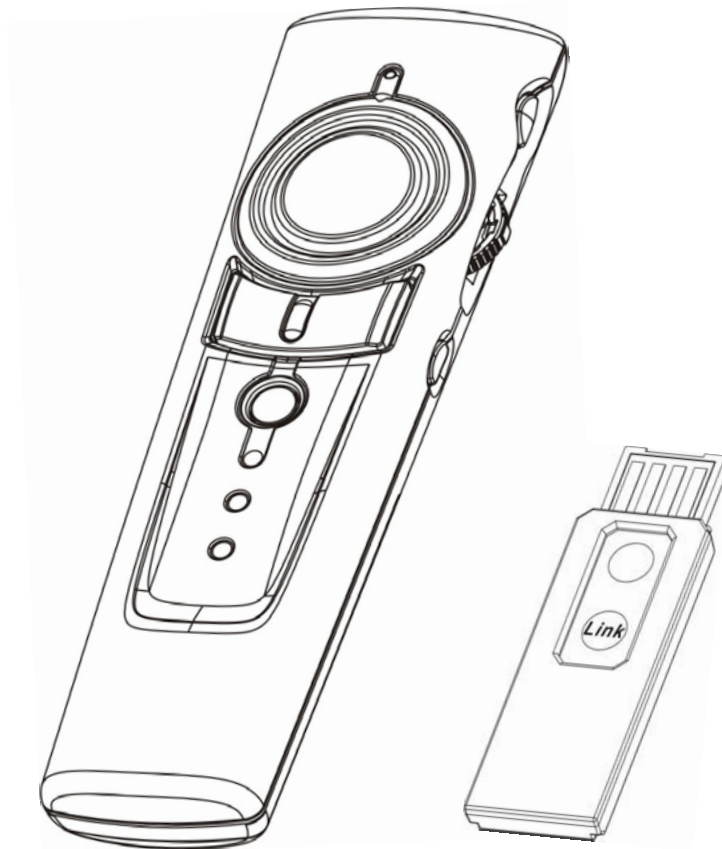


# 4-in-1 Green Laser Wireless Media Presenter (2.4GHz) User's Manual



Be sure to carefully read this User's Guide first for the proper use of this product and keep it for future reference.



---

Information in this document is subject to change without notice. No part of this document may be reproduced or transmitted in any form or by any means, electronic or mechanical, for any purpose, without the express written prior permission of the seller.

The seller provides this document without warranty, or condition of any kind. The seller may make improvements or change in the product described in this documentation at any time.

Other product and company name herein may be the trademarks of their respective owners.

© 2008 All rights reserved.

## IMPORTANT SAFETY AND HEALTH INFORMATION



### WARNING! RISK OF INJURY!

**Laser beam can cause permanent damage to eyes.** Do not look into the laser beam or shine the laser beam into your eyes, other peoples' eyes, or pet's eyes.

### WARNING! RISK OF INJURY!

**Keep this device away from Children.** This is a working tool, not a toy or entertainment device. It should only be used by adults.

### FEDERAL COMMUNICATIONS COMMISSION

This device complies with Part 15 of the FCC Rules. Operation is subject to the following two conditions:(1) this device may not cause harmful interference, and (2) this device must accept any interference received, including interference that may cause undesired operation.

### NOTE

This equipment has been tested and found to comply with the limits for a Class B digital device, pursuant to Part 15 of the FCC Rules. These limits are designed to provide reasonable protection against harmful interference in a residential installation. This equipment generates, uses and can radiated radio frequency energy and, if not installed and used in accordance with the instructions, may cause harmful interference to radio communications. However, there is no guarantee that interference will not occur in a particular installation If this equipment does cause harmful interference to radio or television reception, which can be determined by turning the equipment off and on, the user is encouraged to try to correct the interference by one or more of the following measures:

- Reorient or relocate the receiving antenna.
- Increase the separation between the equipment and receiver.
- Connect the equipment into an outlet on a circuit different from that to which the receiver is connected.
- Consult the dealer or an experienced radio/TV technician for help.

Changes or modifications not expressly approved by the party responsible for compliance could void the user's authority to operate the equipment.

**This device and its antenna(s) must not be co-located or operating in conjunction with any other antenna or transmitter.**

## Table of Contents

### **Chapter 1 Introduction**

- Package contents ..... 4
- System requirements..... 4
- Trademarks ..... 4

### **Chapter 2 Get Started**

- Insert the batteries..... 4
- Connect the USB receiver..... 5
- Turn on laser pointer ..... 5
- Indication LEDs ..... 5

### **Chapter 3 PowerPoint Control Mode – Part I ..... 6**

### **Chapter 3 PowerPoint Control Mode – Part II (Function to use with Fn key together) ..... 7**

### **Chapter 4 Media Player Control Mode ..... 8**

### **Chapter 5 Trouble Shooting ..... 9**

### **Chapter 6 Specifications ..... 10**

### **中文說明書 ..... 12**

## Chapter 1 Introduction

### ■ **Package contents**

Open the package carefully and make sure you have all following items in the package.

<b>4-in-1 Wireless Media Presenter</b>	<b>x 1</b>
<b>USB Receiver</b>	<b>x 1</b>
<b>AAA Battery</b>	<b>x 2</b>
<b>User's Manual</b>	<b>x 1</b>
<b>Carry Case (might be option)</b>	<b>x 1</b>

### ■ **System Requirements**

Windows® 2000/XP/Windows Vista™ & PowerPoint® 2000 (or later) for Windows  
Mac OS® X v.10.3 (or later) & PowerPoint® X (or later) for Mac  
Available USB port

### ■ **Trademarks**

Windows, Windows Vista, Windows Media Player, Microsoft and PowerPoint are registered trademarks of Microsoft Corporation.

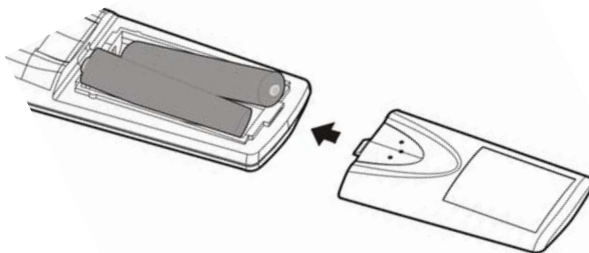
Mac, Mac OS and iTunes are registered trademarks of Apple, Inc.

Other trademarks and registered trademarks not listed above may be used in this manual.

## Chapter 2 Get Started

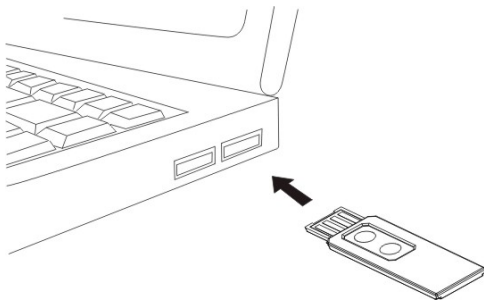
### ■ **Insert the batteries**

Open the battery cover in the product rear side and insert the attached batteries.



## ■ **Connect the USB receiver**

Plug the USB receiver exactly into PC USB port.



### **Note**

For first use on **Mac PC**, you may need to do following setting for normal use.

Plug in USB receiver → Keyboard Setup Assistant → Click "**Continue**" → Identify Your Keyboard → Press any key on the keyboard → Select "**Skip**" → Choose "**ANSI**" → Click "**Done**" button

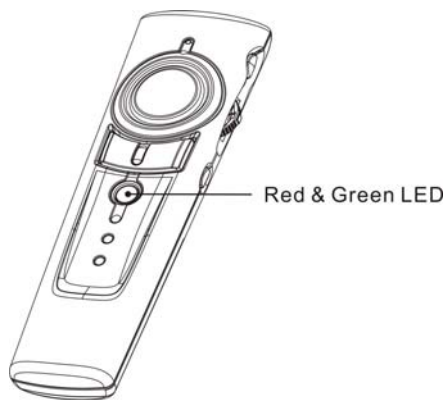
## ■ **To turn on laser pointer**

Press "**Fn**" and "**On/Off**" button on the presenter right side simultaneously till the red Indication LED on the front side blinks which means the laser pointer has been turned on.

**Note** Laser pointer will be automatically off after laser pointer is idled over 30 minutes.

## ■ **Indication LEDs**

Red and green LED each one on presenter front with following indication function:

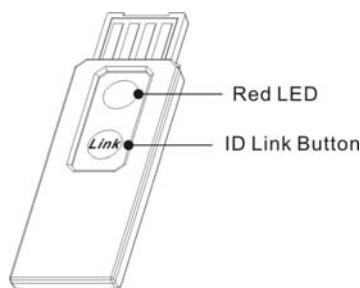


Red LED blinks regularly means the product is at PowerPoint control mode and laser pointer is turned on.

Green LED blinks regularly means the product is at Media Player control mode.

**Note** Laser pointer cannot be used at Media Player control mode.

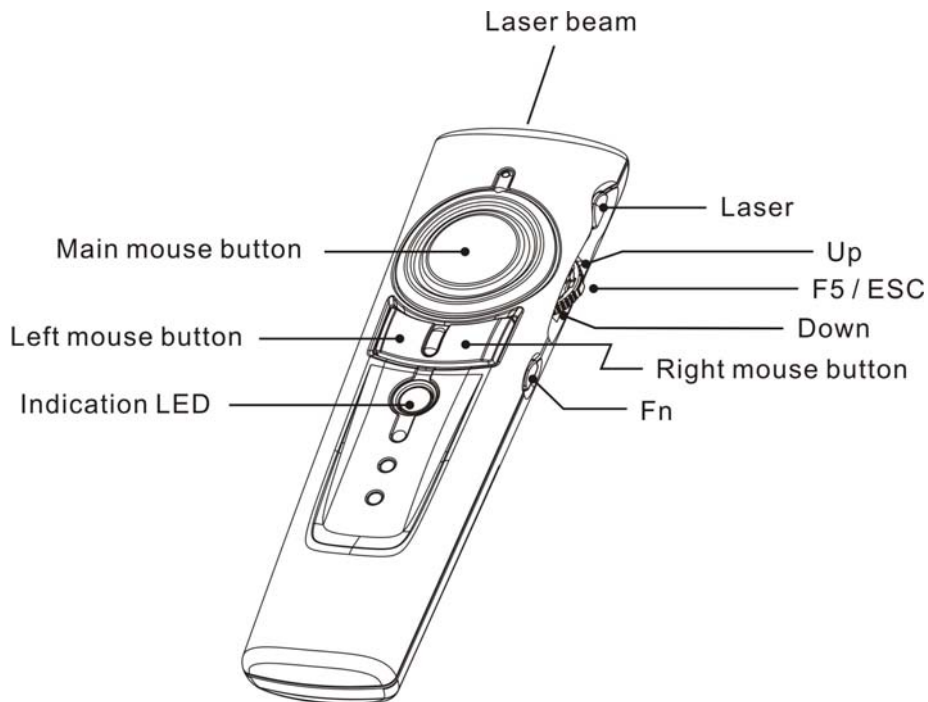
One red LED on USB receiver with following indication function:



When **Link** button on USB receiver is pressed for ID link, this red LED will light up. If correct ID link process is conducted at presenter, this red LED becomes regular blinking from light up.

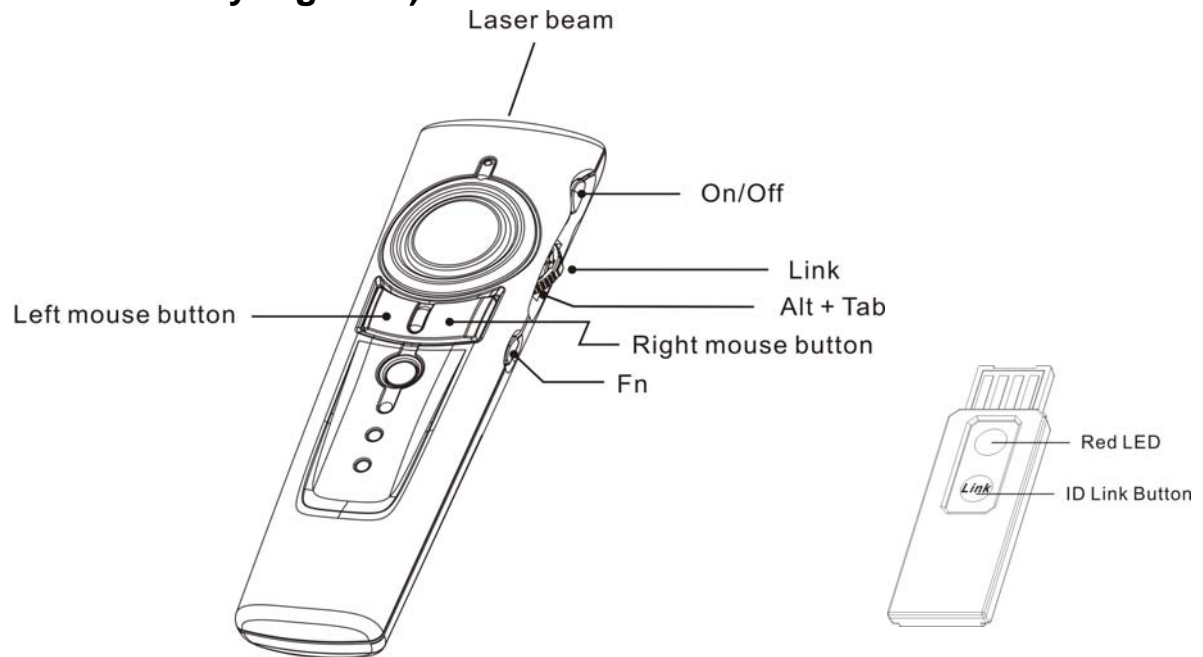
## Chapter 3 PowerPoint Control Mode – Part I

**Note** Please open the presentation PowerPoint file and other file(s) before using this product. The default control mode of this product is PowerPoint control mode.



Print on key	Function description
<b>Laser</b>	<ol style="list-style-type: none"> <li>1. Press <b>Fn</b> and <b>Laser On/Off</b> keys simultaneously till the Indication LED blinking in red to turn on or off laser pointer</li> <li>2. When laser pointer is turned on, press <b>Laser</b> key to shoot the laser beam</li> </ol> <p><b>Note</b> This presenter has anti miss-touch and save power design. When laser pointer is turned on and user <u>continually presses the Laser key over one (1) minute</u> or <u>laser is idled over 30 minutes</u>, the laser pointer will be automatically turned off. To use the laser function, user shall turns on the laser pointer again.</p>
<b>Main mouse</b>	Slightly put thumb on main mouse and rotate your thumb to have main mouse function
<b>Left mouse</b>	<ol style="list-style-type: none"> <li>1. Click as computer left mouse function</li> <li>2. At PowerPoint file, click to go to next slide</li> </ol>
<b>Right mouse</b>	Click as computer right mouse function
<b>Up</b>	Push up the switch to go to previous slide
<b>F5/ESC</b>	<ol style="list-style-type: none"> <li>1. Click this key to start PowerPoint slide show</li> <li>2. Press and hold this key more than one (1) second to exit PowerPoint slide show</li> </ol>
<b>Down</b>	Pull down the switch and go to next slide
<b>Fn</b>	<ol style="list-style-type: none"> <li>1. Press and hold this key more than three (3) seconds to change between PowerPoint control mode and Media Player control mode.</li> <li>2. After successful change from PowerPoint control to Media Player control, green indication LED will regularly blink</li> </ol> <p><b>Note</b> At Media Player control mode, Laser pointer has no function. Main/Left/Right mouse will become Media Player control function</p> <ol style="list-style-type: none"> <li>3. After successful change from Media Player control to PowerPoint control, please remember to turn on Laser pointer if you want to use laser function</li> </ol>
<b>Indication LED</b>	<ol style="list-style-type: none"> <li>1. No LED blinks: The product is at PowerPoint control mode and laser pointer is off</li> <li>2. Red LED blinks regularly: The product is at PowerPoint control mode and laser pointer is on</li> </ol>

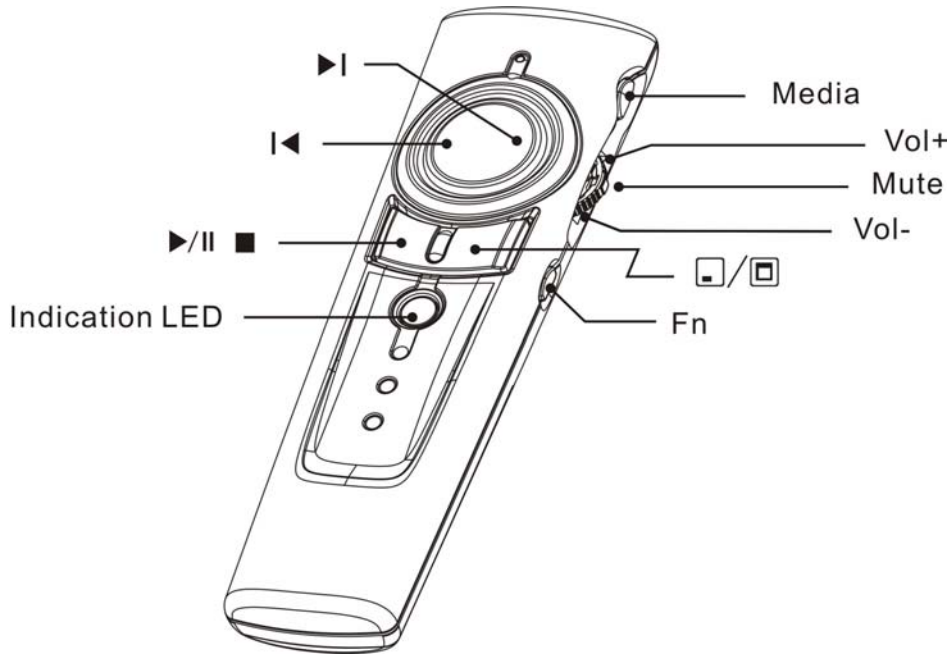
## Chapter 3 PowerPoint Control Mode – Part II (Function to use with Fn key together)



Print on key	Function description
<b>On/Off</b>	<p>Press <b>Fn</b> and <b>Laser On/Off</b> keys simultaneously till the Indication LED blinking in red to turn on or off laser pointer</p> <p><b>Note</b> This presenter has save power design. When laser pointer is turned on but idled over 30 minutes, the laser pointer will be automatically off. To use the laser function again, user shall turn on the laser pointer again</p>
<b>Link</b>	<p>ID change process below:</p> <ol style="list-style-type: none"> <li>1. Click the <b>Link</b> button on the USB receiver and the red LED on the USB receiver will light up</li> <li>2. Press and hold <b>Fn</b> key, then press switch (<b>Link</b>) till the LED on the USB receiver starts blinking which means ID change has been successfully completed</li> </ol> <p><b>Note 1</b> To conduct ID change <b>Only When</b> serious RF interference occurs</p> <p><b>Note 2</b> ID Link shall be completed in 20 seconds or needs to be conducted again</p>
<b>Alt + Tab</b>	<ol style="list-style-type: none"> <li>1. Press and hold <b>Fn</b> key, then pull down the switch (<b>Alt + Tab</b>) to loop among all opened file(s)</li> <li>2. Release <b>Fn</b> and <b>Alt + Tab</b> keys when looping stays at your required file</li> <li>3. Use the same process to other opened file or go back to PowerPoint slide</li> </ol> <p><b>Note</b> <b>Alt + Tab</b> function is not available on Mac OS</p>
<b>Left mouse</b>	<p>Press <b>Fn</b> and <b>Left mouse button</b> simultaneously to turn the whole <b>screen black</b>. Do the same process to return to normal slide screen</p>
<b>Right mouse</b>	<p>Press <b>Fn</b> and <b>Right mouse button</b> simultaneously to turn the whole <b>screen white</b>. Do the same process to return to normal slide screen</p>

# Chapter 4 Media Player Control Mode

**Notes** Laser pointer function is not available at this control mode.



Print on key	Function description
<b>Media</b>	Click to initiate the audio and video media players defaulted <b>Note</b> This function is only available on Windows Media Player software
<b>Vol+</b>	Push up the switch to turn up the play volume
<b>Mute</b>	Click the switch directly to turn on mute function; click again to turn off mute function
<b>Vol-</b>	Pull down the switch to turn down the play volume
<b>▶ </b>	Press down the right side of main mouse button to go to next chapter
<b>◀ </b>	Press down the left side of main mouse button to go to previous chapter
	Click the right mouse button to show your desktop (all application software will be minimized); click again to recover the last application software you used <b>Note</b> This function is only available on Windows OS
<b>▶/   ■</b>	This key has following three (3) function: 1. Click to toggle between <b>Play</b> and <b>Pause</b> 2. Press and hold for two (2) seconds to <b>Stop</b> the playback <b>Note</b> Play stop function is not available on iTunes software
<b>Fn</b>	1. Press and hold this key more than three (3) seconds to change between PowerPoint control mode and Media Player control mode. 2. After successful change from PowerPoint control to Media Player control, green indication LED will regularly blink <b>Note</b> At Media Player control mode, Laser pointer has no function. Main/Left/Right mouse will become Media Player control function 3. After successful change from Media Player control to PowerPoint control, please remember to turn on Laser pointer if you want to use laser function
<b>Indication LED</b>	Green LED blinks regularly at Media Player control mode <b>Note</b> This presenter has save power design and if no any key is pressed over 30 minutes, the LED will be automatically off

**Note** The volume control function of this product is to control the system volume of computer.



## Chapter 5 Trouble Shooting

Question	Possible cause	How to resolve
Need to install software for first use of this product?		No need
Need to link ID before first use?		No need
Possible to use 2 or more of this product in a room at the same time?		Yes, but please implement ID Link in advance to avoid interference (see page 7 for how to link)
Possible to use one presenter with 2 or more USB receivers?		Yes but only when the presenter and USB receivers are not conducted ID Link
Laser pointer malfunction	<ol style="list-style-type: none"> <li>1. At Multimedia Play Mode</li> <li>2. Forget to turn on laser pointer</li> <li>3. Laser function has been automatically off after 30 minutes of idling time</li> <li>4. Continual press of Laser key over 1 minute</li> </ol>	<ol style="list-style-type: none"> <li>1. Change to PowerPoint Presentation Mode (see page 6 for mode change)</li> <li>2~4 To turn on the laser pointer (see page 6 for turn-on laser pointer)</li> </ol>
Remote control malfunction	Interfered by other RF signal	To Implement ID Link (see page 7 for how to link)
Laser pointer and remote control both malfunction	Batteries are inserted in wrong direction or battery power run out	Check the insert direction of batteries and battery power

## Chapter 6 Specifications

### ■ **Specifications**

#### **System**

Frequency range : 2400~2483MHz

Remote range : Approx. 100 feet (30 meters) indoors,  
328 feet (100 meters) open space

Operating voltage : Remote control & Laser: 2.4V~3.2V

Power : AAA battery X 2

Power : Normal operation <10mA

Laser operation < 300mA

Sleep < 10uA

Output power: Under 1mW

#### □ **Dimensions**

Presenter : 130 (L) x 38.2 (W) x 23.5 (H) mm

USB receiver : 49 (L) x 16 (W) x 3.5 (H) mm

#### **Weight**

Presenter : About 65 grams (include batteries)

USB receiver : About 2.6 grams

#### □ **Environmental Requirements**

Temperature :

Operating : 0°C (32°F)~60°C (140°F)

**Green laser operating temperature: 15°C (59°F)~35°C (95°F)**

Non-operation : -10°C (14°F)~65°C (149°F)

Humidity(non-condensing) :

Operating : 10%~85% RH

Non-operating : 10%~95% RH

#### □ **Green laser**

Semiconductor laser ( $\lambda = 532 \text{ nm}$ )

Laser output power : Under 1 mW

**Note:** Design and specifications are subject to change without prior notice.

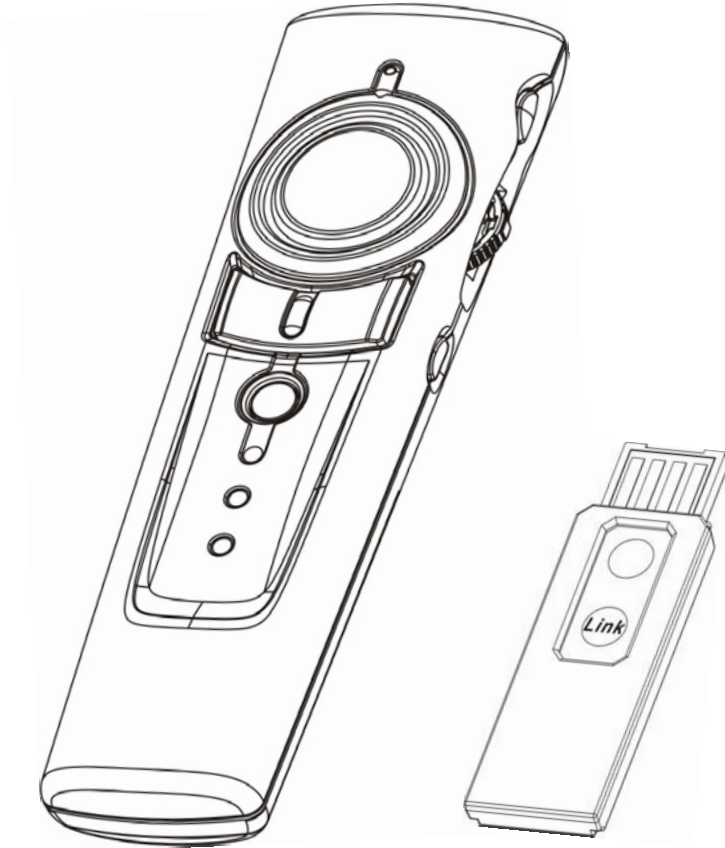
### ■ **Care and Maintenance**

- For cleaning, you are advised to use a soft, slightly moistened cloth.
- Avoid using solvents or abrasive substances.
- Do not open the presenter: for maintenance, consult qualified staff only.



# 四合一綠光無線簡報器 (2.4GHz)

## 使用說明書



使用前務請詳閱本使用說明，  
以正確操作本裝置，閱讀後並  
請妥善保存，以備日後參考





(注意：本產品具雷射功能，請勿將雷射光束直射眼睛並避免孩童把玩)

(一)、本產品包含：

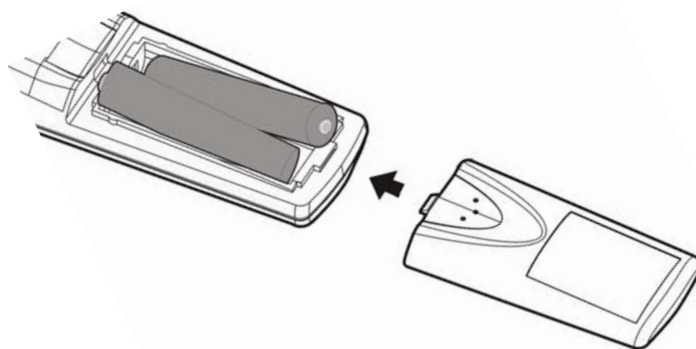
- |                |   |
|----------------|---|
| 1. 無線簡報器       | 1 |
| 2. USB 無線接收器   | 1 |
| 3. AAA 電池      | 2 |
| 4. 使用說明書       | 1 |
| 5. 收納袋 (可能需另購) | 1 |

(二)、系統需求：

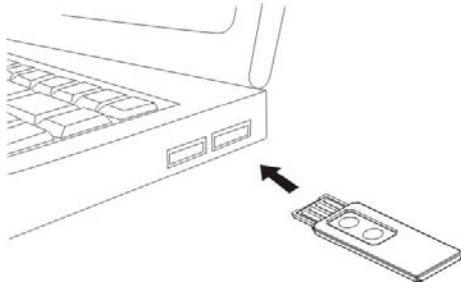
1. Windows® 2000, XP, Windows Vista™；簡報軟體: PowerPoint® 2000 或更新的版本
2. Mac OS® X v.10.3 (or later)；簡報軟體: PowerPoint® X for Mac OS X 或更新的版本
3. USB 插孔

(三)、開始使用：

1. 打開無線簡報器背面之電池蓋，依電極指示方向置入電池。



2. 將無線接收器插入電腦或其他簡報裝置之 USB 埠。打開簡報時所要用到之所有檔案 (建議先將 PowerPoint 顯示於簡報銀幕上)。



**注意**

第一次將 USB 接收器插入 Mac 電腦時，您的電腦可能無法辨識本裝置，請依下列步驟設定即可正常使用。  
插入 USB 接收器 → 鍵盤設定輔助程式 → 選擇“繼續” → 按鍵盤上任意鍵 → 選擇“略過” → 選擇“ANSI” → 按“完成”

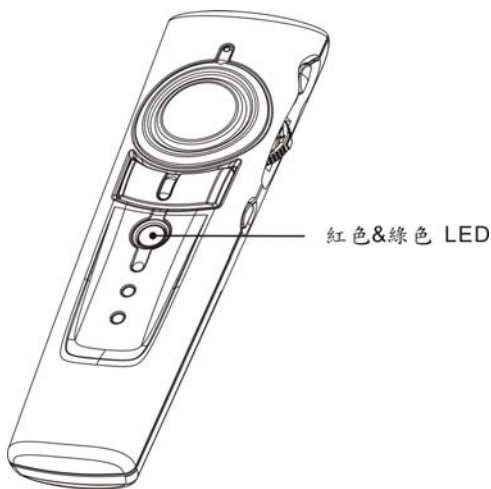
3. 開啓雷射 (開啓雷射時請勿直視雷射)：

先按住無線簡報器右側下方之功能鍵 (Fn)，再按住右側上方之雷射開關鍵 (On/Off)，待簡報器正面之指示燈閃爍紅色即啓動雷射功能。 重複上述操作關閉雷射。

(雷射開關安全設計：靜置三十分鐘後雷射自動關閉，重新開啓雷射須再執行上述程序)

4. 指示 LED 燈：

簡報器正面有紅色 LED 與綠色 LED 各一。 位置&指示功能如下：

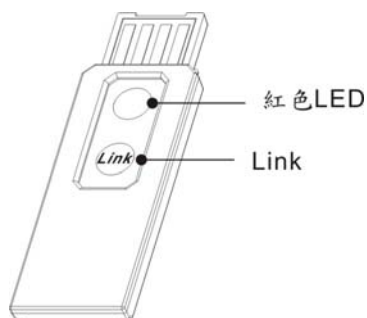


紅色 LED 固定閃燈表示此產品在 PowerPoint 控制模式且雷射功能已被開啓。

綠色 LED 固定閃燈表示此產品在 Media Player 控制模式。

**注意** 雷射在 Media Player 控制模式下無法使用。

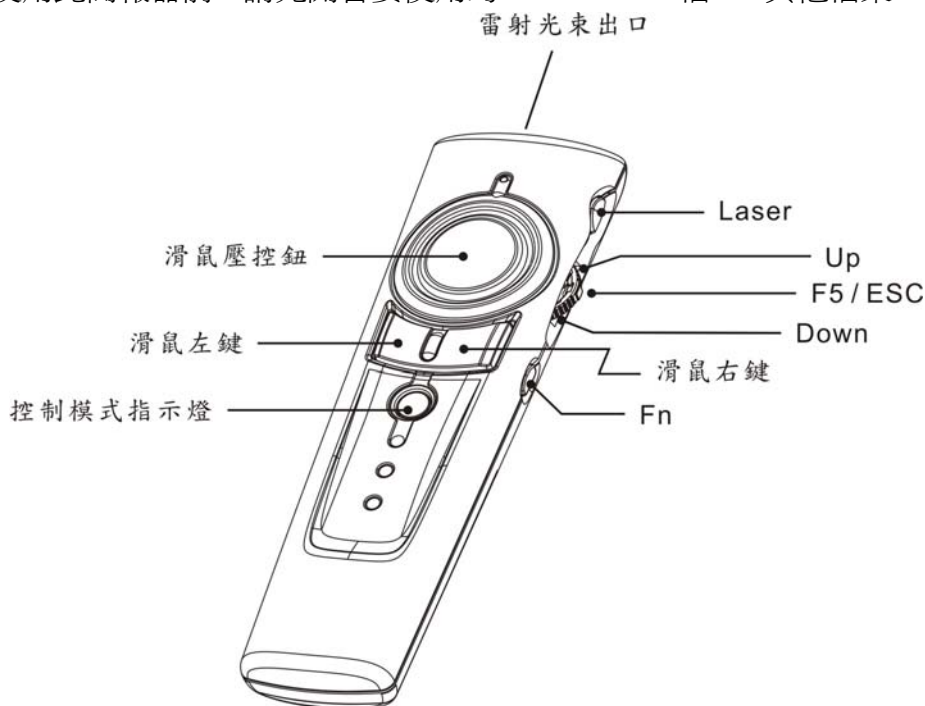
USB 接收器正面有一紅色 LED。 位置&指示功能如下：



按下 USB 接收器上之 Link 鍵時，此紅色 LED 會亮起；簡報器端完成頻率重新聯結後，此紅色 LED 燈由常亮變閃燈。

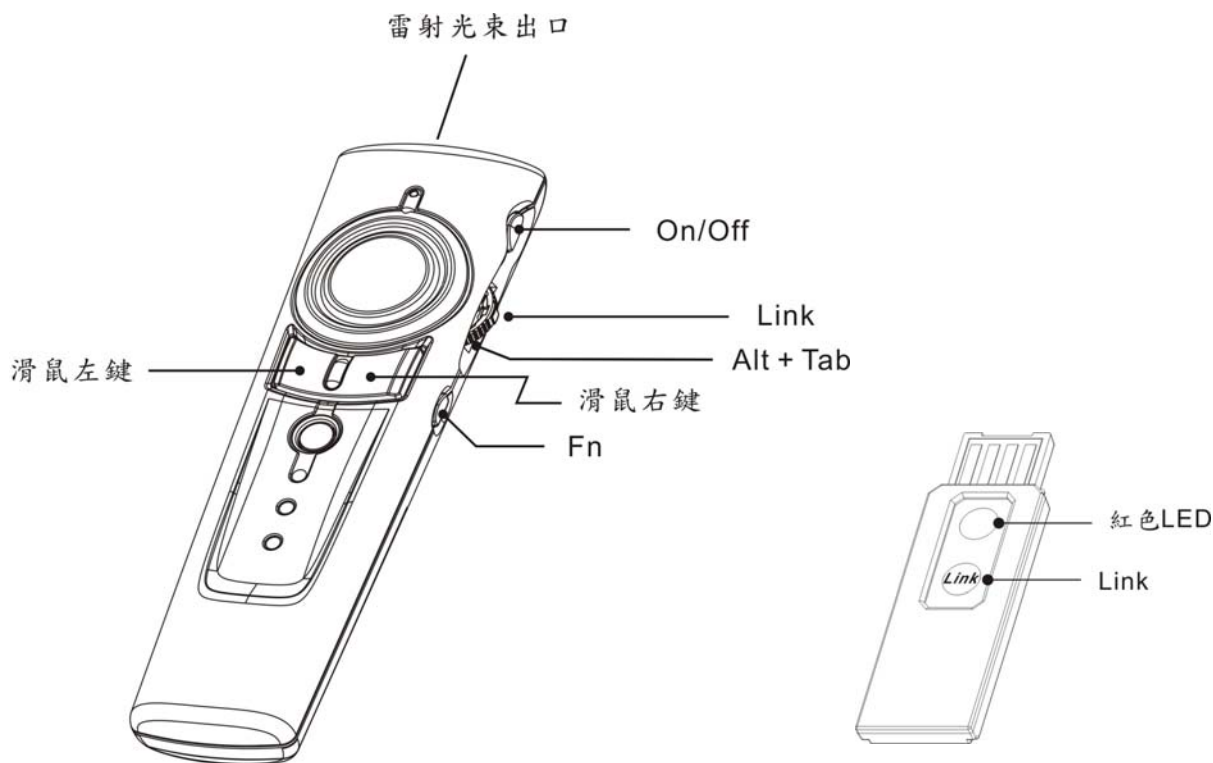
(四)、簡報控制模式 – Part I (注意 請將語言輸入設定在“英文”，不要在注音或倉頡模式)：

\* 使用此簡報器前，請先開啓要使用的 PowerPoint 檔 & 其他檔案 \*



按鍵印刷	按鍵功能	操作說明
Laser	雷射按鍵	1. 同時按住簡報器右側 Fn 及 On/Off 鍵直到簡報器正面模式指示燈閃紅燈，表示雷射已被開啓或關閉 2. 雷射在開啓狀態，按住此鍵發出雷射光束 注意 本產品有防誤觸以及節電設計，在雷射在開啓狀態下，如果連續按住雷射鍵超過 1 分鐘或超過 30 分鐘沒有使用雷射，雷射會自動關閉。如要再使用雷射，請重新開啓雷射功能
滑鼠壓控鈕	電腦滑鼠	將拇指指腹輕放在此壓控鈕上，然後輕輕轉動拇指，即可當滑鼠控制
滑鼠左鍵	滑鼠左鍵	1. 按一下當滑鼠左鍵使用 2. 在 PowerPoint 檔案底下，按一下到下一張投影片
滑鼠右鍵	滑鼠右鍵	按一下當滑鼠右鍵使用
Up	上一頁	將此 3 向開關往上撥一下，到上一張投影片
F5/ESC	投影片放映/結束	1. 按下此鍵並迅速放開即開始投影片放映 2. 按住此鍵超過 1 秒鐘即可結束投影片放映
Down	下一頁	將此 3 向開關往下撥一下，到下一張投影片
Fn	模式切換鍵	按住 Fn 鍵 3 秒鐘後放開： 1. 模式指示燈亮綠色並持續閃爍綠色，表示本產品在多媒體控制模式 2. 模式指示燈未閃爍，表示本產品在簡報控制模式 注意 回到簡報控制模式後，如要使用雷射，需重新開啓雷射功能
簡報器正面 LED 燈	控制模式指示燈	1. 不閃燈：簡報控制模式但沒有開啓雷射 (注意 此產品初始設定在簡報控制模式) 2. 定時閃紅燈：簡報控制模式且雷射在開啓狀態

(四)、簡報模式 – Part II (搭配 Fn 鍵使用; **注意** 操作時請先按住 Fn 鍵後再按其他鍵)

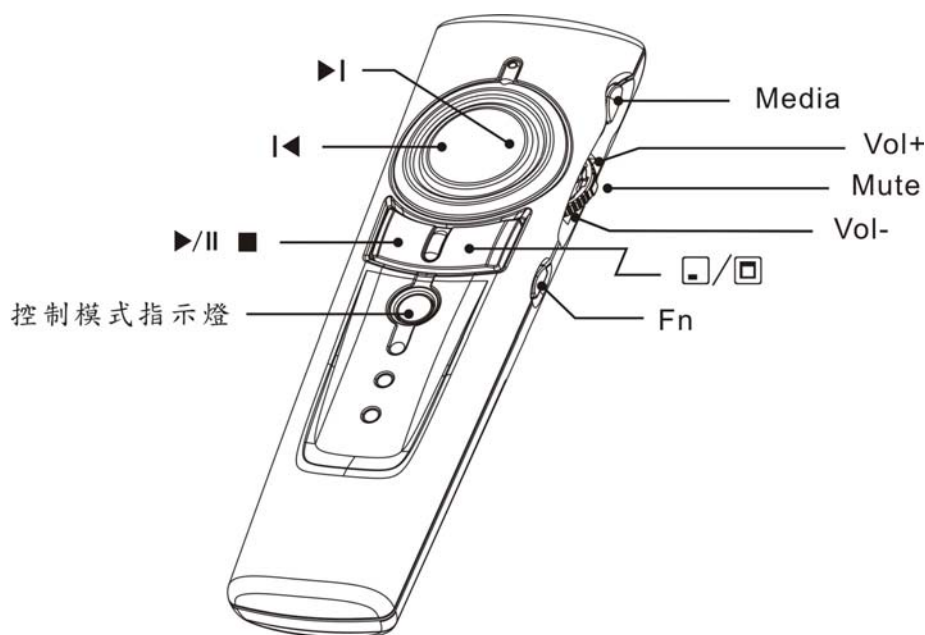


按鍵印刷	按鍵功能	操作說明
<b>On/Off</b>	開啓&關閉雷射	同時按住簡報器右側 Fn 及 On/Off 鍵直到簡報器正面模式指示燈閃紅燈，表示雷射已被開啓或關閉
<b>Link</b>	重新聯結頻率	<ol style="list-style-type: none"> <li>先按下 USB 無線接收器上之頻率切換鈕(Link)，此時上 Link 上之紅色 LED 會亮起</li> <li>再同時按住簡報器上之 Fn 及 Link 鍵直到簡報器之綠色模式指示燈閃燈或 USB 無線接收器上之紅色 LED 變成閃燈，表示完成重新聯結</li> </ol> <p><b>注意 1</b> 僅於明顯感覺簡報器操作不順暢或無回應時方執行本功能</p> <p><b>注意 2</b> 重新聯結動作需在 20 秒內完成，否則需重新執行</p>
<b>Alt + Tab</b>	檔案切換	先按住 Fn 鍵並將 3 向開關往下撥至所需切換檔案後，同時放開 2 按鍵即可換至所選取之檔案。依上述步驟，切換到其他檔案或回到原放映投影片
<b>滑鼠左鍵</b>	簡報螢幕反黑	按住 Fn 及滑鼠左鍵，簡報播放螢幕反黑。依同樣步驟，回到正常放映螢幕
<b>滑鼠右鍵</b>	簡報螢幕反白	按住 Fn 及滑鼠右鍵，簡報播放螢幕反白。依同樣步驟，回到正常放映螢幕



### (五)、多媒體控制模式

**注意** 在此模式時，雷射沒有功能而電腦滑鼠轉為多媒體播放控制功能)



按鍵印刷	按鍵功能	操作說明
<b>Media</b>	叫出預設多媒體播放軟體	按一下此鍵叫出系統預設之多媒體播放軟體 <b>注意</b> 本功能僅適用於 Windows Media Player
<b>Vol+</b>	調高播放音量	將此 3 向開關往上撥，調高音量
<b>Mute</b>	靜音	直接按下 3 向開關靜音，再按一次回復原來音量
<b>Vol-</b>	調低播放音量	將此 3 向開關往下撥，調低音量
<b>▶ </b>	下一章節	按一下滑鼠壓控鈕右側，跳至下一章節
<b>◀ </b>	前一章節	按一下滑鼠壓控鈕左側，跳至前一章節
<b>□/□</b>	顯示電腦桌面	按一下滑鼠右鍵，顯示電腦桌面(即隱藏所有應用軟體)，再按一次回復隱藏前最後叫出之應用軟體 <b>注意</b> 本功能僅適用於 Windows OS
<b>▶/   ■</b>	1. 播放/暫停 2. 停止	1. 按一下滑鼠左鍵，開始或暫停多媒體播放 2. 按住滑鼠左鍵約 2 秒鐘，停止多媒體播放 <b>注意</b> iTunes 播放軟體沒有停止多媒體播放功能
<b>Fn</b>	模式切換鍵	按住 <b>Fn</b> 鍵 3 秒鐘後放開： 1. 模式指示燈亮綠色並持續閃爍綠色，表示本產品在多媒體控制模式 2. 模式指示燈未閃爍，表示本產品在簡報控制模式 <b>注意</b> 回到簡報控制模式後，如要使用雷射，需重新開啓雷射功能
<b>簡報器正面 LED 燈</b>	控制模式指示燈	定時閃綠燈表示在多媒體控制模式 <b>注意</b> 本產品有節電設計，超過 30 分鐘沒有使用任何按鍵，LED 燈會自動熄滅。再按任何一鍵，LED 即恢復閃燈

**注意** 此產品控制電腦系統音量，非控制播放軟體之音量

## (六)、常見問題

問題	可能原因	解決方法
第一次使用時需先安裝軟體嗎?		不需要
第一次使用時需先做頻率切換嗎?		不需要
可以同時在同一空間使用兩支以上無線簡報器嗎?		可以,但在使用前請先執行“重新聯結頻率”以避免干擾 (詳見第 16 頁操作說明)
可以使用一支簡報器,同時控制兩台(或多台)電腦嗎?		可以,但需在簡報器以及 USB 接收器都沒有執行過“重新聯結頻率”才可以
雷射沒有反應	<ol style="list-style-type: none"><li>1. 可能產品在多媒體控制模式</li><li>2. 沒有開啓雷射</li><li>3. 雷射有開啓但超過 30 分鐘沒有使用</li><li>4. 連續按住雷射鍵超過 1 分鐘</li></ol>	<ol style="list-style-type: none"><li>1. 請切換到簡報控制模式</li><li>2~4 請重新開啓雷射 (詳見第 15 頁操作說明)</li></ol>
雷射功能正常但遙控功能不正常	被其他 2.4GHz 產品干擾	請執行“重新聯結頻率” (詳見第 16 頁操作說明)
遙控及雷射同時沒有反應	電池沒電或置放方向錯誤	請檢查電池電極置放方向&電力

(七)、產品規格

使用頻率	2400~2483MHz
遙控距離	室內：30 公尺；開放空間：100 公尺 <b>注意</b> 控制距離可能因使用環境而有差異
工作電壓	2.4V~3.2V
電源供應	AAA 電池 X 2
輸出功率	小於 1mW
重量	簡報器：約 65 公克(含電池)； USB 接收器：約 2.6 公克
體積(本體)	簡報器：130 (長) x 38.2 (寬) x 23.5 (高) mm USB 接收器：49 (長) x 16 (寬) x 3.5 (高) mm
環境	溫度： 操作時：0°C (32°F)~60°C (140°F) <b>綠光雷射操作：15°C (59°F)~35°C (95°F)</b> 非操作時：-10°C (14°F)~65°C (149°F) 濕度(非冷凝狀態)： 操作時 10%~85% RH 非操作時 10%~95% RH
雷射	半導體雷射 ( $\lambda = 532 \text{ nm}$ ) 雷射最大輸出功率：小於 1 mW

注意：本裝置若有髒污，請用軟濕布擦拭(僅用清水)，請勿使用酒精、揮發劑、稀釋劑、清潔劑擦拭。

\*本產品為經型式認證合格之低功率射頻電機，非經許可，公司、商號或使用者均不得擅自變更頻率、加大功率或變更原設計之特性及功能。

\*低功率射頻電機之使用不得影響飛航安全及干擾合法通信；經發現有干擾現象時，應立即停用，並改善至無干擾時方得繼續使用。前項合法通信，指依電信法規定作業之無線電通信。低功率射頻電機須忍受合法通信或工業、科學及醫療用電波輻射性電機設備之干擾。

Doc No.: EB-B9020-201