

4-In-1
Wireless Media Presenter
(2.4GHz, Omni-directional)

User's Manual

Be sure to carefully read this User's Manual first for the proper use of the 4-in-1 Wireless Media Presenter and keep it for future reference.



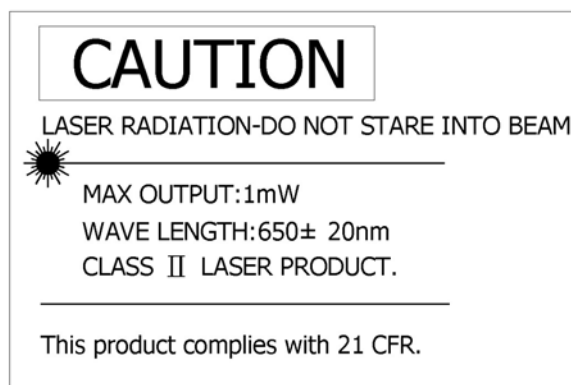
Information in this document is subject to change without notice. No part of this document may be reproduced or transmitted in any form or by any means, electronic or mechanical, for any purpose, without the express written prior permission of the seller.

The seller provides this document without warranty, or condition of any kind. The seller may make improvements or change in the product described in this documentation at any time.

Other product and company name herein may be the trademarks of their respective owners.

© 2005 All rights reserved.

IMPORTANT SAFETY AND HEALTH INFORMATION



WARNING! RISK OF INJURY!

Laser beam can cause permanent damage to eyes. Do not look into the laser beam or shine the laser beam into your eyes, other peoples' eyes, or pet's eyes.

WARNING! RISK OF INJURY!

Keep this device away from Children. This is a working tool, not a toy or entertainment device. It should only be used by adults.

Trademarks:

Windows, Windows Media, Microsoft and PowerPoint are registered trademarks of Microsoft Corporation.

iTunes is a registered trademarks of Apple Computer, Inc.

PowerDVD is a registered trademark of CyberLink Corp.

WinDVD is a registered trademark of InterVideo, Inc.

Other trademarks and registered trademarks not listed above may be used in this manual.

Table of Contents

Chapter 1 Introduction

- What's the benefits..... 4
- Equipment checklist..... 4
- System requirement..... 5

Chapter 2 Getting Started and Operation Mode

- Inserting the battery..... 6
- Connecting the USB receiver..... 6
- Opening PowerPoint..... 6
- Turning on the laser point..... 6
- Take out/Put back the USB Receiver..... 7

Chapter 3 Using the 4-in-1 Wireless Presenter

- PowerPoint Normal Operation..... 8
- PowerPoint Special Functions..... 9
- Multimedia Control..... 10

Chapter 4 Additional Information

- Specifications..... 11
- Care and Maintenance..... 11

Trouble Shooting..... 12

產品使用說明書 13

Chapter 1 Introduction

Thank you for choosing our 4-in-1 Wireless Media Presenter
—“Totally Control Your Presentation and PC Multimedia”

■ *What's the benefits*

□ **4-in-1 multi-function**

The 4-in-1 Wireless Media Presenter combines the features of the PowerPoint Controls, Laser Pointer, Wireless Mouse and PC Multimedia Remote Control into one elegant device. Excellent 2.4GHz RF technology enables you to control the computer up to 100 feet (30 meters) away from the receiver (connected to the USB port), the laser pointer functions up to 130 feet (40 meters) from the target.

□ **Making your presentation easier and more successful**

When making presentation, with the 4-in-1 Wireless Media Presenter, you don't need to stand beside your notebook computer or have an additional person to assist you, nor do you need to aim at the USB receiver.

□ **Having your own way to your PC Multimedia**

When enjoying your PC multimedia, the 4-in-1 Wireless Media Presenter provides you with a single tool to manage your Windows Media Player or iTunes running on Windows®.

□ **Easy to use**

The 4-in-1 Wireless Media Presenter is a USB plug-and-play device with no additional software required. The laser beam safety switch protects people from unintentional laser beam into human eyes.

□ **Easy to carry**

The patent slim RF receiver integrated with the Presenter, it can be easily put in the lightweight, protective carrying case when traveling.

■ ***Equipment Checklist***

Carefully unpack your 4-in-1 Wireless Media Presenter, and make sure you have all the following items:

- | | |
|--|---|
| <input type="checkbox"/> 4-in-1 Wireless Media Presenter | 1 |
| <input type="checkbox"/> USB Receiver(attached in the back of Presenter) | 1 |
| <input type="checkbox"/> AAA Batteries | 2 |
| <input type="checkbox"/> User's Manual | 1 |
| <input type="checkbox"/> Carrying Case (Option) | 1 |

■ ***Requirements***

Windows® 98SE/ME/2000/XP

An available USB port

Chapter 2 Getting Started and Operation Mode

■ *Inserting the batteries*

Open the battery cover in the back and insert two AAA batteries.

■ *Connecting the USB receiver*

Take out the USB receiver in the back (please refer to page 7), label side down and plug it exactly into an USB port. Do as follows, depending on operating system:

□ **Windows® 2000/XP**

The operating system identifies the receiver as a “USB Human Interface Device” and begins installation automatically. Follow the instructions or messages on the screen to complete the installation.

□ **Windows® 98 SE/ME**

The system prompts you to insert the operating system CD-ROM. Follow the instructions on the screen to install the required drivers.

■ *Opening PowerPoint and other necessary files on your screen*

■ *Turning on the laser pointer*

Press “Fn” and “On/Off” button on the right side simultaneously till the front Mode Indicator blinking in red.

■ *Operation Mode*

There are two operation modes: One is 『PowerPoint Presentation Mode』, another is 『Multimedia Mode』, Default setting in 『PowerPoint Presentation Mode』.

(Please refer to page 8 “Fn: Change Mode”)

Note: There are 3 colors words on the right side of the Wireless Media Presenter:

1. **White** for PowerPoint normal operation (please refer to page 8)
2. **Green** for PowerPoint special functions (please refer to page9)
3. **Yellow** for Multimedia remote control (please refer to page 10)

Note: Please make sure you are on the right mode when use.

■ **Take out the USB receiver**

Figure 1 Pull up the USB receiver as the following figure.

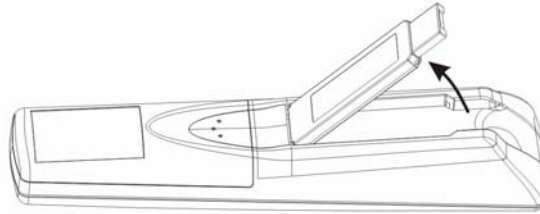
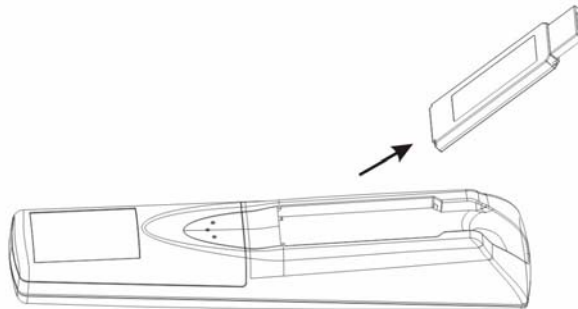


Figure 2 Then you can easily take the USB receiver out from the compartment.



■ **Put back the USB receiver**

Figure 3 Insert the bottom of the USB receiver with the label side up.

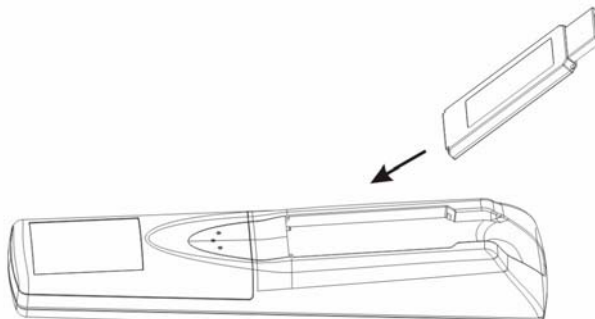
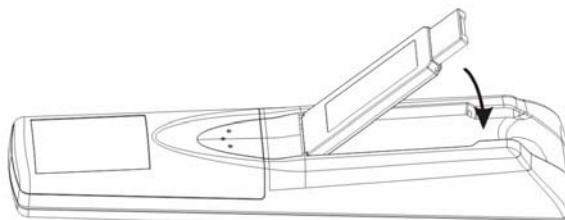
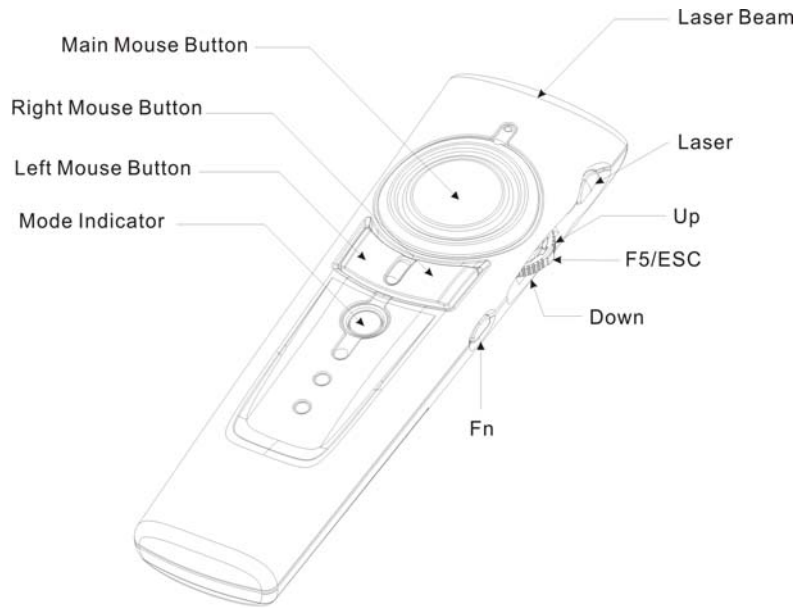


Figure 4 Press the USB receiver down to the compartment firmly.



Chapter 3 Using the 4-in-1 Wireless Media Presenter

- **PowerPoint Normal Operation:** Function of each key when not used with Fn key
Figure 5



Keys in white	Function description
Laser	<ol style="list-style-type: none"> 1. Press Fn and Laser On/Off keys simultaneously till the Mode indicator blinking in red to turn on/off laser pointer. 2. Press Laser key to shoot the laser beam. 3. The laser will automatically shut off after 30 minutes idling time.
Up	Push up the switch and go back to the previous slide.
F5/ESC	<ol style="list-style-type: none"> 1. Click to start the slide show. 2. Press and hold more than three seconds to exit the slide show.
Down	Pull down the switch and go to the next slide.
Mode Indicator	No blink: PowerPoint Presentation mode Blinking in green: Multimedia mode Blinking in red: Laser on (Default setting in PowerPoint Presentation mode)
Fn: Change Mode	<ol style="list-style-type: none"> 1. <u>Change to Multimedia Mode:</u> Press Fn for 1 second and release, the Mode indicator will light up and keep blinking in green to confirm the device is under multimedia mode. 2. <u>Change to PowerPoint Presentation Mode:</u> Click Fn key, the Mode indicator will stop blinking to confirm the device is under PowerPoint Presentation Mode.

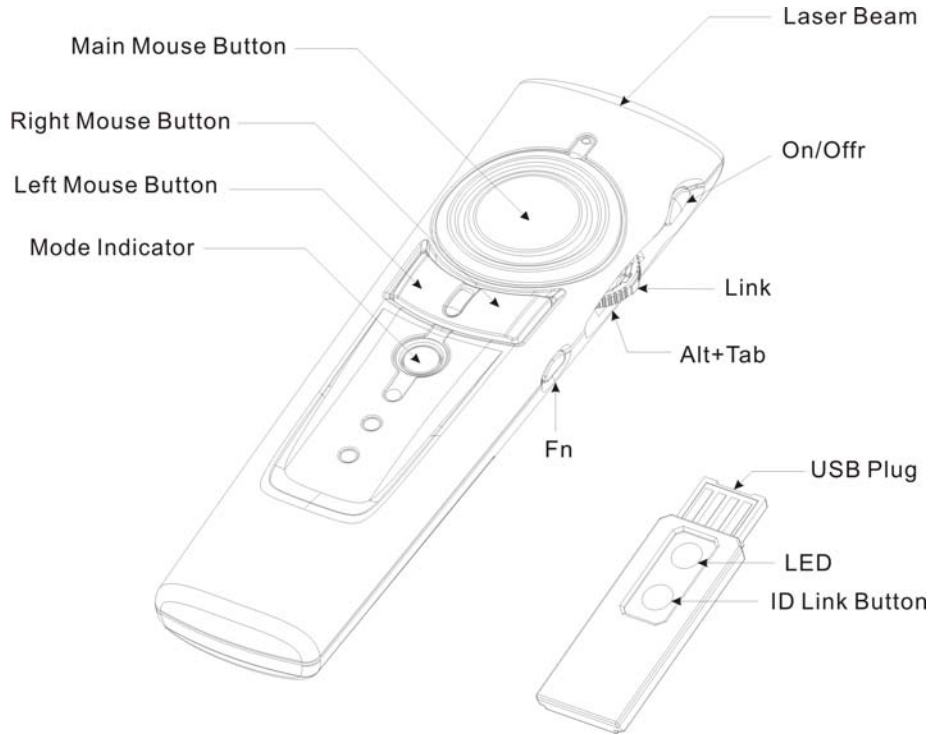
Note: Please make sure you are on the right mode when use.

■ **PowerPoint Special Functions:**

Function of each key when used simultaneously with Fn key.

Note: Fn key should be pressed before clicking the other key.

Figure 6



Keys in green	Function description
Fn + On/Off	1. Press Fn and On/Off keys simultaneously till the front Mode indicator blinking in red to turn on/off the laser pointer. 2. Press Laser key directly to shoot the laser beam.
Fn + Alt+Tab	Press and hold Fn key, then pull down the switch to Alt+Tab to the required file icon, release both keys to open the required files, using the same process to go back to PowerPoint slides.
Fn + Link	Note: ID change Implements only when serious RF interference. 1. Click the Link key on the USB receiver first, the LED on the USB receiver will light up. 2. Press and hold Fn key, then press down the switch (Link) directly till the LED on the USB receiver start blinking.
Fn + Left Mouse Key	Press Fn and left mouse key simultaneously to turn the whole screen black. Click the left mouse key to go back to the slides.
Fn + Right Mouse Key	Press Fn and right mouse key simultaneously to turn the whole screen white. Click the left mouse key to go back to the slides.

Note: Please make sure you are on the right mode when use.

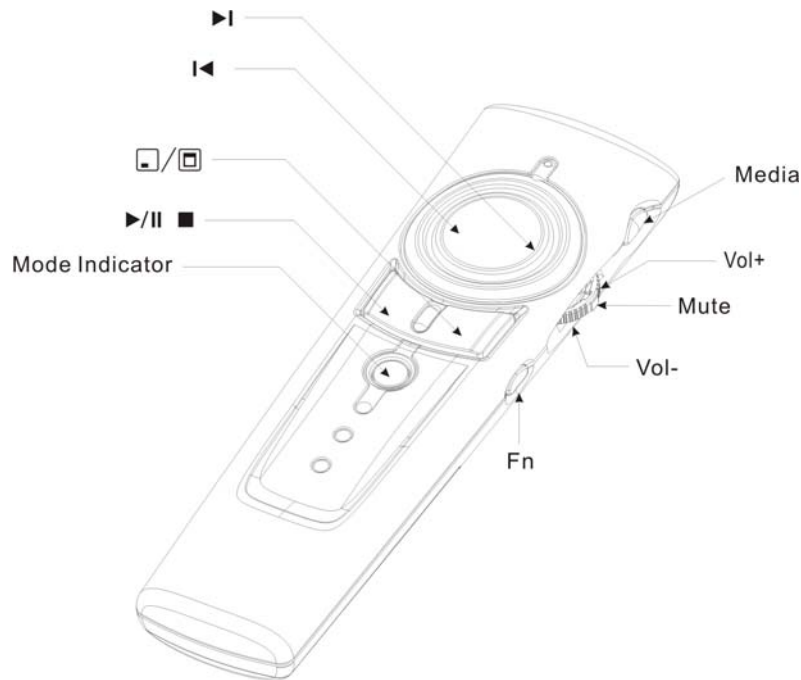
- **Multimedia Control:** Function of each key when in the Multimedia mode.

Note: Multimedia mode only applies to Media Player and iTunes running on Windows.

Note: The laser pointer and wireless mouse will be inactive in Multimedia mode.

Note: Please make sure you are on the right mode when use.

Figure 7



Keys in yellow	Function description
Media	Click to initiate the audio and video media players defaulted. Note: This function can only be applied to Windows XP and Windows Me.
Vol+	Push up the switch to turn up the volume.
Vol-	Pull down the switch to turn down the volume.
Mute	Click the switch directly to mute the volume, click again to return.
▶ 	Press down the right side of main mouse button to go to next chapter.
 ◀	Press down the left side of main mouse button to return to previous chapter.
□/□	Click the right mouse button to show your desktop (minimize all application software), click again to recover the last application software you used.
▶/ ■	This key has three functions: 1. Click the left mouse button to toggle between Play and Pause. 2. Press the left mouse button for two seconds to stop the playback.
Fn: Change Mode	Click Fn key and change to PowerPoint Presentation Mode. Note: Multimedia mode will change to PowerPoint Presentation mode automatically after two hours idling time.

Chapter 4 Additional Information

■ **Specifications**

□ **System**

Frequency range: 2400~2483MHz

Remote range: Approx. 100 feet (30 meters) indoors, 328 feet (100 meters) outdoors

Operating voltage: Remote control: 2.4V~3.3V, Laser: 2.6V~3.3V

Power: AAA batteries * 2

Very low power consumption: Normal operation <10mA

Laser operation < 20mA

Sleep < 10uA

Output power: Under 1mW

□ **Physical Dimensions**

Size: Tx: 130(l) x 38.2(w) x 23.5(h) mm. Rx: 49(l) x 16(w) x 3.5(h) mm

Weight: Approx. Tx: 60 grams (include batteries) Rx: 2.6 grams

□ **Environmental Requirements**

Temperature:

Operating: 0°C (32°F)~60°C (140°F)

Non-operation: -10°C (14°F)~65°C (149°F)

Humidity(non-condensing):

Operating: 10%~85% RH

Non-operating: 10%~95% RH

□ **Laser**

Semiconductor laser($\lambda = 650 \text{ nm}$), emission duration: continuous

Laser output power: Max.0.95 mW

Note: Design and specifications are subject to change without notice.

■ **Care and Maintenance**

- For cleaning, you are advised to use a soft, slightly moistened cloth.
- Avoid using solvents or abrasive substances.
- Do not open the presenter: for maintenance, consult qualified staff only.

Trouble Shooting

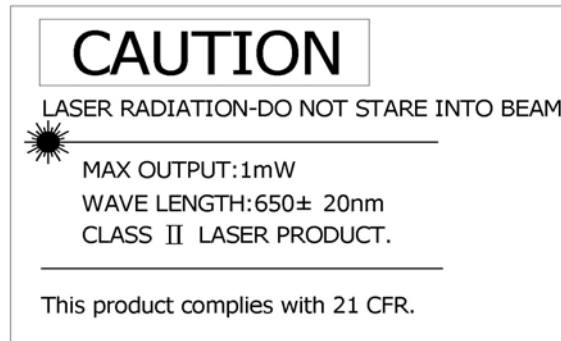
Question	Possible cause	How to resolve
Need to install software for first use of the Presenter?		No, this is a plug and play device, you do not need to install any software.
Need to link ID before first use?		No need
Can you use two Presenters in a room at a same time?		Yes, you can, but we suggest you implement ID change in advance to avoid interference. (please see page 9).
Laser pointer malfunction	Forget to switch on the laser pointer or laser function is automatically turned off after 30 minutes idling time.	<ol style="list-style-type: none"> 1. Make sure you are on the right mode. 2.To switch on the laser pointer (please refer to page 9)
Remote control malfunction	Interfered by other RF signal	<ol style="list-style-type: none"> 1. Make sure you are on the right mode. 2.Implement ID change (please refer to page 9)
Laser pointer and remote control both malfunction	Put battery in wrong direction or run out of battery power	<ol style="list-style-type: none"> 1. Make sure you are on the right mode. 2. Check the batteries

四合一無線簡報器 (2.4GHz)

產品使用說明書

使用前務請詳閱本使用說明，以正確操作本裝置，閱讀後並請妥善保存，以備日後參考。謝謝

感謝您選用本公司精心設計之『四合一無線簡報器』，本產品結合雷射光筆、無線滑鼠、PowerPoint 簡報快捷鍵(Shortcuts)以及電腦多媒體遙控功能，讓您輕鬆掌控簡報及電腦多媒體娛樂，充分展現您的專業及品味。



(注意：本產品具雷射功能，請勿將雷射光束直射眼睛並避免孩童把玩)

(一)、本產品包含：

1. 無線簡報器*1
2. USB 無線接收器(簡報器背面)*1
3. 四號電池*2
4. 使用說明書*1
5. 皮套*1 (選購)

(二)、系統需求：

Windows® 98 SE, Me, 2000, XP

An available USB port

(三)、開始操作及模式說明：

1. 請先打開無線簡報器背面之電池蓋，依電極指示方向置入電池。
2. 取出無線簡報器背面之無線接收器，標籤面朝下插入電腦或其他簡報裝置之 USB 埠，並依電腦畫面指示操作。(請參照第十五頁，圖 1-圖 4 之說明)
3. 打開簡報時所須之所有檔案。(建議先將 PowerPoint 顯示於簡報銀幕上)
4. 開啓／關閉雷射：先按住無線簡報器右側下方之功能鍵(Fn)，再按住最上方之雷射開關鍵(On/Off)，待簡報器正面之指示燈閃爍紅色即啓動雷射功能，重複上述操作關閉雷射。
(雷射開關安全設計：靜置三十分鐘後雷射自動關閉，重新開啓雷射須再執行上述程序)

5. 四合一無線簡報器有兩種操作模式，系統預設模式為『簡報模式』，另一模式為『多媒體模式』。(模式切換請參照第十六頁說明)

Note：無線簡報器右側功能鍵有三種顏色，各適用模式如下：

白色：簡報模式一般功能。(於簡報模式下直接操作)

綠色：簡報模式特殊功能。(須先按住 Fn 鍵，再執行所需功能)

黃色：多媒體模式(切換至多媒體模式後直接操作)

Note: 使用時請先確認本裝置已切換至您所需要的模式。

(請參閱第十六頁模式燈號說明)

■ 取出 USB 無線接收器

圖 1 拉起無線接收器前端

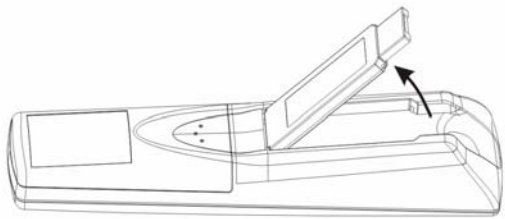
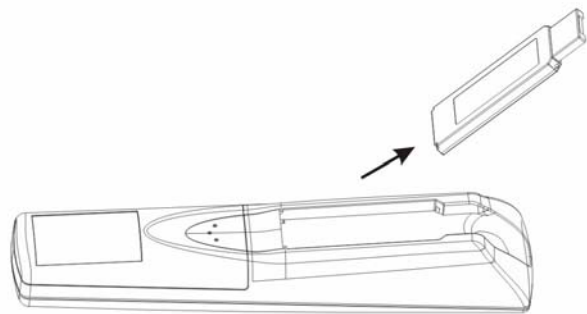


圖 2 取出無線接收器



■ 放回 USB 無線接收器

圖 3 標籤面朝上，

先將無線接收器尾端插回儲存槽

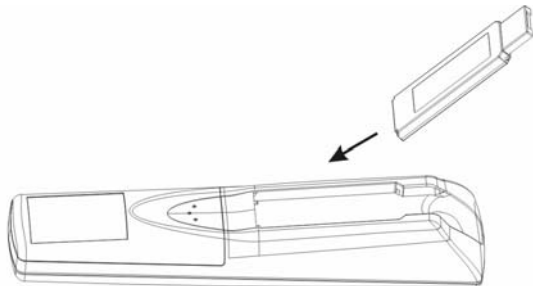
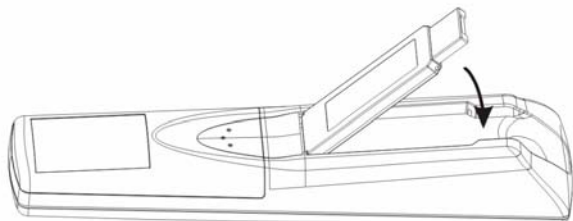
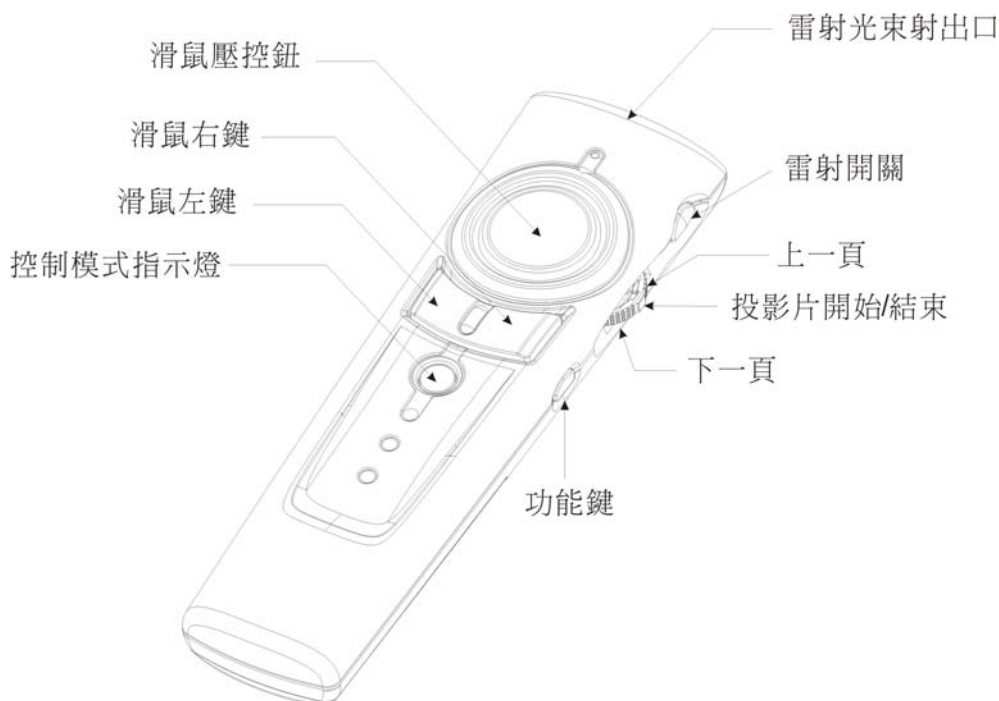


圖 4 壓下無線接收器前端，確認無線接收器固定於儲存槽中



(四)、操作說明：(使用前請務必依本說明書實際操作一次，以便熟悉所有功能)

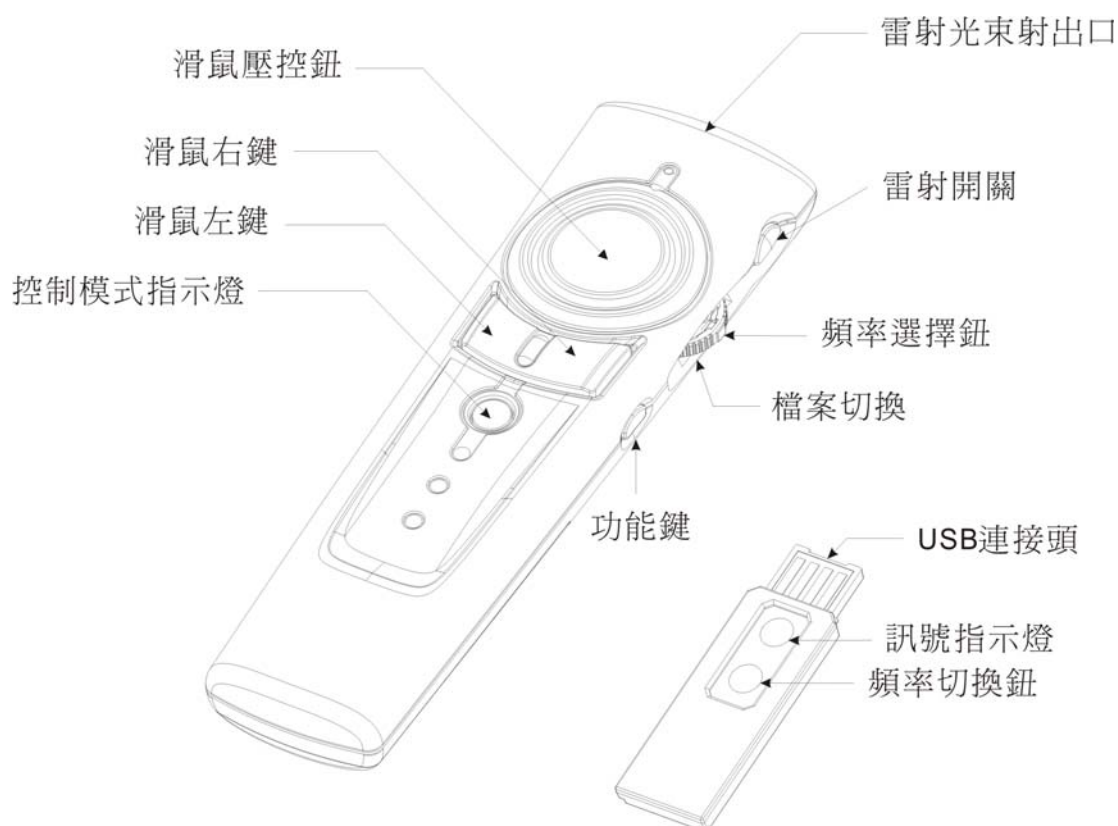
1. 簡報模式：一般功能



白色按鍵	按鍵功能	操作說明
Laser	雷射按鍵	按住 Laser 鍵發出雷射光束。 (請先確認系統處於簡報模式並開啓雷射：同時按住簡報器右側 Fn 及 On/Off 鍵約兩秒鐘至簡報器正面模式指示燈閃爍紅色)
Up	上一頁	將三向開關往上撥，回到上一張投影片放映
F5/ESC	投影片放映/結束	1. 按下此鍵並迅速放開即開始投影片放映 1. 按住此鍵約三秒鐘即結束投影片放映
Down	下一頁	將三向開關往下撥，進行下一張投影片放映
簡報器正面 Mode Indicator	控制模式指示燈	不閃爍：簡報模式 閃爍綠色：多媒體模式 閃爍紅色：簡報模式下雷射開啓狀態 (系統預設為簡報模式)
簡報器右側 Fn: Change Mode	模式切換鍵	按住 Fn 鍵一秒鐘後放開： 1. 模式指示燈亮綠色並持續閃爍綠色，表示位於多媒體模式 2. 模式指示燈未閃爍表示本裝置位於簡報模式 3. 模式指示燈閃爍紅色表示本裝置位於簡報模式且雷射開啓

2. 簡報模式：特殊功能(須搭配 Fn 鍵使用)

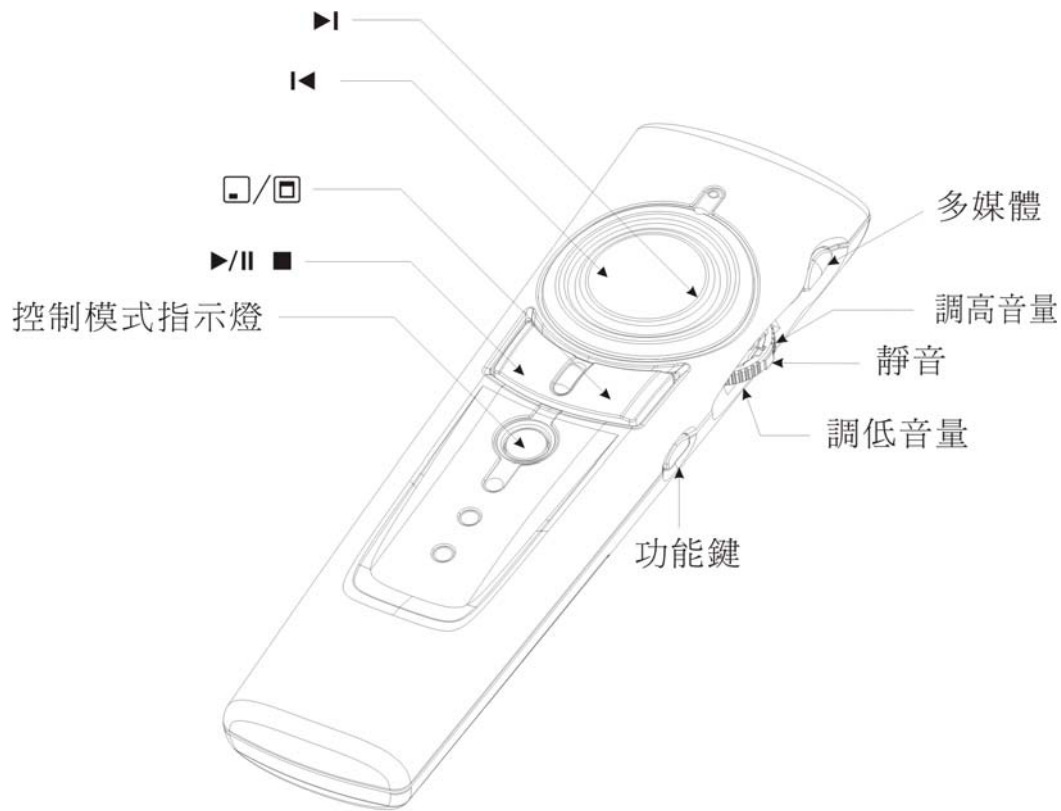
(注意：操作時請先按住 Fn 鍵後再按其他鍵)



綠色按鍵	按鍵功能	操作說明
Fn + On/Off	雷射開關	同時按住 Fn 及 On/Off 至正面指示燈閃爍紅色，開啓或關閉雷射
Fn + Alt+Tab	檔案切換	先按住 Fn 鍵並將三向開關往下撥至所需檔案，放開 Fn 鍵切換至所選取之檔案(回到投影片放映請依上述步驟操作一次)
Fn + Link	重新聯結	注意：僅於明顯感覺簡報器操作不順暢或無回應時方執行本功能。 先按下 USB 無線接收器上之頻率切換鈕(Link)，再同時按住簡報器上之 Fn 及 Link 鍵直到簡報器之模式指示燈閃爍，完成重新聯結
Fn + 滑鼠左鍵	反黑	按住 Fn 及滑鼠左鍵，簡報播放銀幕全黑(直接按滑鼠左鍵回復)
Fn + 滑鼠右鍵	反白	按住 Fn 及滑鼠右鍵，簡報播放銀幕全白(直接按滑鼠左鍵回復)

3. 多媒體模式：(本模式下雷射及無線滑鼠功能將自動關閉)

本模式僅適用於 Media Player 及 iTunes 在 Windows 作業系統下操作



Note: 本裝置預設為”簡報模式”，使用多媒體模式時請確認您是否位於正確的模式下。

黃色按鍵	按鍵功能	操作說明
Media	叫出預設多媒體播放軟體	於多媒體模式下，按下此鍵叫出系統預設之多媒體播放軟體 (注意：本功能僅適用於 Windows XP 及 Windows ME)
Vol+	音量調整	將三向開關往上撥調高音量
Vol-	音量調整	將三向開關往下撥調低音量
Mute	靜音	直接按下三向開關靜音，再按一次回復原來音量
▶ 	下一章節	按下滑鼠壓控墊右側跳至下一章節
◀ 	前一章節	按下滑鼠壓控墊左側跳至前一章節
□/□	顯示桌面	按下(click)滑鼠右鍵顯示桌面(隱藏所有應用軟體)，再按一次回復隱藏前最後叫出之應用軟體
▶/ ■	播放/暫停/停止	1. 按下(click)滑鼠左鍵播放或暫停 2. 按住滑鼠左鍵約兩秒鐘，停止播放
Fn (模式切換)	模式切換鍵	於多媒體模式下，按一下 Fn 鍵切換至簡報模式： 1. 正面模式指示燈亮綠色並持續閃爍，表示本裝置位於多媒體模式 2. 正面指示燈未閃爍表示本裝置位於簡報模式 3. 正面指示燈閃爍紅色表示本裝置位於簡報模式且雷射開啓

產品規格

產品型號	PS2440
使用頻率	2400~2483MHz
遙控距離	室內約 30 公尺；開放空間約 100 公尺
工作電壓	遙控功能：2.4V~3.3V；雷射功能：2.6V~3.3V
電源供應	四號電池(AAA)*2
輸出功率	小於 1mW
重量	無線簡報器(含電池)：60 公克 無線接收器：2.6 公克
體積	無線簡報器：130mm(長)*38.2mm(寬)*23.5mm(高) 無線接收器：49mm(長)*16mm(寬)*3.5mm(高)
環境	溫度： 操作時：0°C(32°F)~60°C(140°F) 非操作時：-10°C(14°F)~65°C(149°F) 濕度(非冷凝狀態)： 操作時 10%~85% RH 非操作時 10%~95% RH
雷射	連續式半導體雷射($\lambda = 650 \text{ nm}$) 雷射最大輸出功率：0.95 mW

常見問題

問題	可能原因	解決方法
第一次使用時需先安裝軟體嗎?		不需要
第一次使用時需先做頻率聯結嗎?		不需要
可以在近距離內(三十公尺)同時使用兩支以上的無線簡報器嗎?		可以，但在使用前請先執行“重新聯結”以避免干擾 (詳見第 17 頁操作說明)
沒有雷射但遙控功能正常	<ol style="list-style-type: none"> 1. 位於多媒體模式時，雷射功能自動關閉 2. 位於簡報模式但沒有開啓雷射或雷射功能在靜置三十分鐘後自動關閉 	<ol style="list-style-type: none"> 1. 確認已切換至簡報模式 (詳見第 16 頁操作說明) 2. 開啓雷射 (詳見第 17 頁操作說明)
遙控功能異常但雷射正常運作	<ol style="list-style-type: none"> 1. 模式選擇錯誤 2. 嚴重干擾 	<ol style="list-style-type: none"> 1. 確認模式是否正確(頁 16) 2. 執行“重新聯結” (詳見第 17 頁操作說明)
遙控及雷射同時異常	<ol style="list-style-type: none"> 1. 模式選擇錯誤 2. 電池沒電或置放方向錯誤 	<ol style="list-style-type: none"> 1. 確認模式是否正確(頁 16) 2. 檢查電池電量及電極置放方向

注意：本裝置若有髒污，請用軟濕布擦拭(僅用清水)，請勿使用酒精、揮發劑、稀釋劑、清潔劑擦拭。

再次感謝您選用『四合一無線簡報器』，若您在使用上有任何問題或對產品有任何建議，歡迎來電或 Email 給我們，我們將在最短時間內解決您的問題。



DOC NO. EB-A3010-201